

Pressure Gauges

For the Sanitary Industries



PSD and PSF Series

- 4 in. nominal (100 mm) dial size with dual psig and bar scale
- Glycerin-filled case available
- Available unfilled case with polysulfone lens autoclavable to 300°F (148°C)
- All-welded 316L stainless steel diaphragm seal and Bourdon tube; stainless steel case
- Electropolished diaphragm and seal 20 μm . (0.51 μm) R_a
- 3-A compliant with Kwik-Clamp diaphragm seal connections

Technical Data

Dial Ranges

Compound Gauges

- Vacuum to 0 psi and vacuum to 60 psi (4 bar)

Positive-Pressure Gauges

- 0 to 60 psi (4 bar) through 0 to 300 psi (20 bar)

Accuracy

± 1.0 % of span

Configurations

Lower mount and lower-back mount

Diaphragm Seal Connection

1 1/2 and 2 in. Kwik-Clamp

Temperature Rating

Ambient

25 to 140°F (-3 to 60°C)

Media (Operating)

25 to 300°F (-3 to 148°C)

Temperature Error

± 0.06 % for every 10°F (5.5°C) temperature change from 68°F (20°C)

Materials of Construction

Component	Material
<i>Diaphragm seal, Bourdon tube</i>	316L SS
Diaphragm seal fill fluid	Glycerin (positive-pressure gauges)
	Mineral oil (compound gauges)
Case, bezel ring, movement	Stainless steel
Lens	Polycarbonate (PSF models)
	Polysulfone (PSD models)
Lens gasket	Buna N (PSF models)
Dial, pointer	Aluminum
Case fill fluid	Glycerin (PSF models)

Wetted components listed in *italics*.

Testing and Calibration

Every Swagelok® sanitary pressure gauge is factory calibrated and pressure tested.

Additional Products

Swagelok offers a variety of dampened-movement bimetal thermometers and thermowells that are 3-A compliant with Kwik-Clamp sanitary clamp process connections.

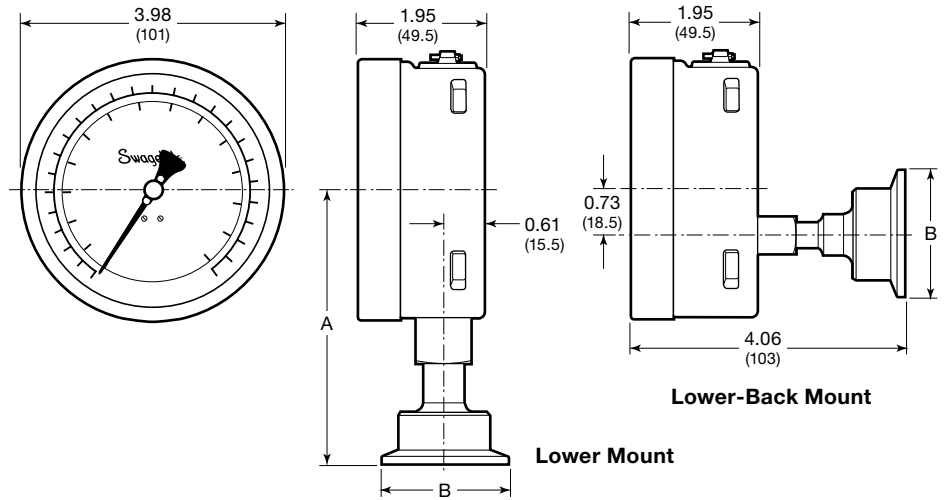
For more information, see the Swagelok *Temperature Measurement Devices* catalog, MS-02-353.



Dimensions

Dimensions, in inches (millimeters) are for reference only and are subject to change.

End Connection Size	Dimensions, in. (mm)	
	A	B
1 1/2 in.	3.90 (99.0)	1.97 (50.0)
2 in.	3.94 (100)	2.52 (64.0)



Ordering Information

Build a sanitary pressure gauge ordering number by combining the designators in the sequence shown below.

1 **2** **3** **4** **5** **6** **7** **8** **9**
PSF 100 PG100 P L 1 24 1 B

1 Model

PSD = Pressure gauge, sanitary, unfilled case

PSF = Pressure gauge, sanitary, glycerin-filled case

2 Dial Size

100 = 4 in. nominal (100 mm)

3 Dial Range

See below.

Dial Range Designators

The selected dial range should be approximately two times the system working pressure, and the system working pressure should be in the middle half (25 to 75 %) of the dial range. Contact your authorized Swagelok sales and service representative if the system working pressure will exceed 75 % of the dial range.

Dial Range, psi		Designator
Minimum	Maximum	
Vacuum -30 in. Hg	0	PC0
	60	PC60
0	60	PG60
	100	PG100
	160	PG160
	200	PG200
	300	PG300

4 Gauge Scale

P = psi primary, bar secondary

5 Process Connection Location

L = Lower mount

B = Lower-back mount

6 Diaphragm Seal Connection

1 = Kwik-Clamp

7 Diaphragm Seal Connection Size

24 = 1 1/2 in.

32 = 2 in.

8 Diaphragm Seal Fill Fluid

1 = Glycerin (required for positive-pressure gauges)

4 = Mineral oil (required for compound gauges)

9 Lens Material

B = Polycarbonate (PSF models)

C = Polysulfone (PSD models)

Options

Additional dial sizes, dial ranges, process connection types and sizes, fill fluids, and lens materials are available on request. Contact your authorized Swagelok representative.

Safe Product Selection

When selecting a product, the total system design must be considered to ensure safe, trouble-free performance. Function, material compatibility, adequate ratings, proper installation, operation, and maintenance are the responsibilities of the system designer and user.

Warranty Information

Swagelok products are backed by The Swagelok Limited Lifetime Warranty. For a copy, visit swagelok.com or contact your authorized Swagelok representative.